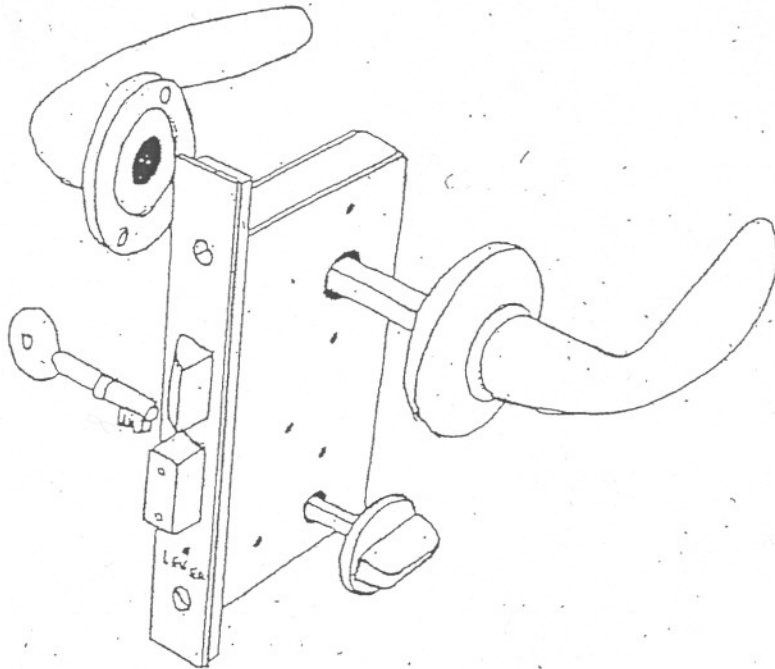


BATH & NORTH EAST SOMERSET COUNCIL HOUSING SERVICES

ACCEPTABLE LOCKS FOR FIRE DOORS & DOORS ON EXIT ROUTE

A SECURITY LOCK/LATCH SET (IF NEEDED) MUST HAVE A 'SNIB' OR 'THUMBTURN' ON THE RISK - ROOM SIDE TO ENABLE QUICK EXIT FROM THE ROOM WITHOUT THE USE OF A KEY. A NIGHT LATCH IS NOT ACCEPTABLE.



A YALE 81 IS ALSO ACCEPTABLE & IS A CYLINDER LOCK WITH A METAL ROLLER BALL CATCH.

